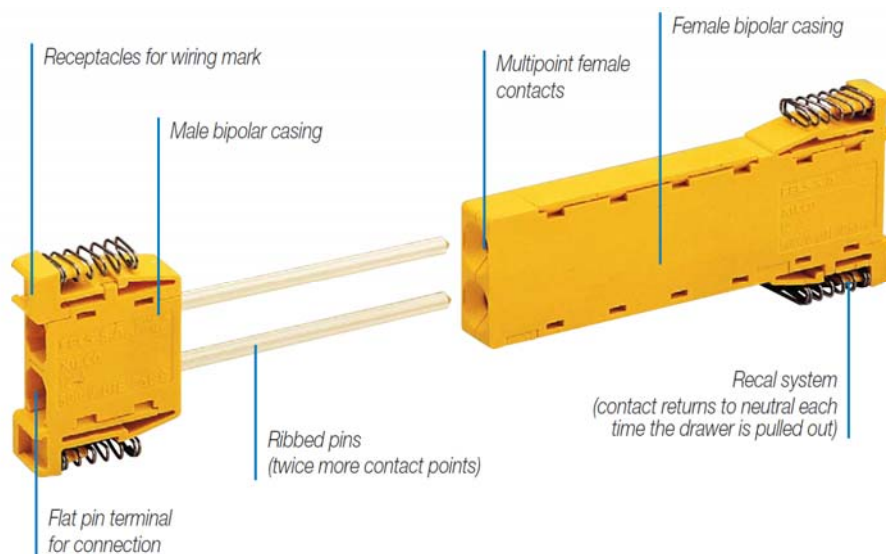


1) Description

The XILCO® connector module is a two-pole low-voltage connector module that offers extensive contact travel and a high ability to make up for misalignment.

XILCO® two-pole modules are designed to be juxtaposed and clipped into pre-cut supports, so as to make up cost-effective multipole assemblies that are exactly suited to the needs of the application.



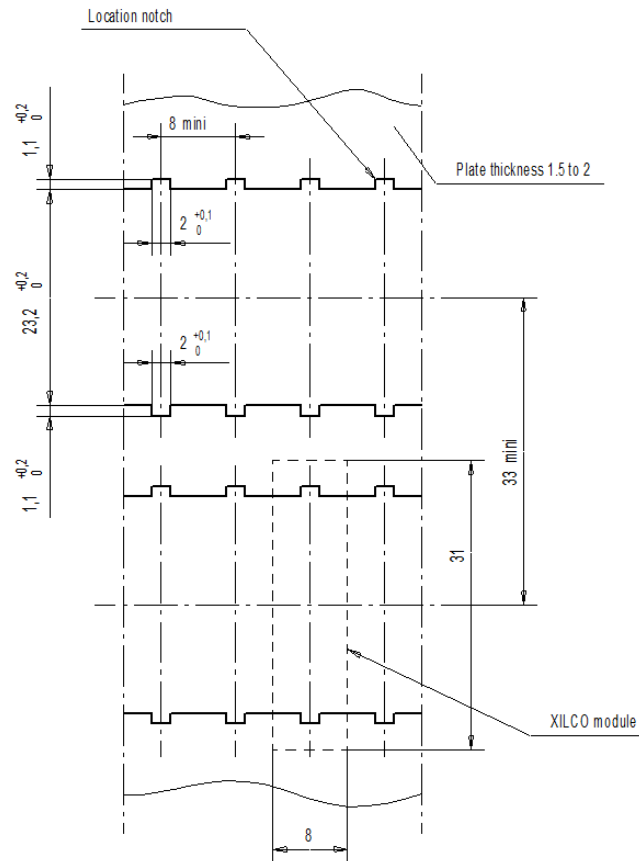
2) Part numbers

Part numbers	Description
XIL1000	XILCO® stop
XIL1200	Male and female connector set, 12 mm travel, silver
XIL1200F	Female connector, 12 mm travel, 2.8x0.5 tab, silver
XIL1200M	Male connector, 12 mm travel, 2.8x0.5 tab, silver
XIL2000	Male and female connector set, 20 mm travel, silver
XIL2000F	Female connector, 20 mm travel, 2.8x0.5 tab, silver
XIL2000M	Male connector, 20 mm travel, 2.8x0.5 tab, silver
XIL2001M	Male connector, 21.5 mm travel, 2.8x0.5 tab, silver
XIL3500	Male and female connector set, 35 mm travel, silver
XIL3500F	Female connector, 35 mm travel, 2.8x0.5 tab, silver
XIL3500M	Male connector, 35 mm travel, 2.8x0.5 tab, silver
XIL3510	Male and female connector set, 35 mm travel, nickel
XIL3510F	Female connector, 35 mm travel, 2.8x0.5 tab, nickel
XIL3510M	Male connector, 35 mm travel, 2.8x0.5 tab, nickel

3) Technical specifications of connectors

- Maximum intensity 12 Amperes AC or DC per pole over 100 % of contact travel in silver version
- Rated insulation voltage:
 - a) 440 V according to EN 60439-1 with pollution degree 3 (equivalent to IEC-EN 61439-1)
 - b) 500 V Max. according to UTE Cat. C (former standard)
- Creepage distance:
 - a) between poles of the same unit: 6 mm minimum
 - b) between poles of two juxtaposed units: 5.4 mm minimum
- Service temperature: - 10 °C to + 65 °C
- Fire resistance: V0 according to UL 94
- Material free from halogen and phosphorous, colour yellow, RAL 1018
- Comparative tracking index: CTI = 600 V according to IEC 112
- IP 20 according to EN 60529 at the connection and at the female contact entry
- Wired with flexible wire, 1.5 mm² max
- Connection with insulated clips, 2.8 x 0.5
- Quality of contact: splined pin system and multiple contact points. Contact in silver on silver-plated copper or silver on nickel-plated copper depending on the part number. Contact resistance < 4 mΩ (silver version), including connecting clip
- Plugging force < 500 grams/two-pole unit
or < 250 grams per pole
- Mechanical endurance > 200 switches without lubrication
- Approach travel: 9 mm engagement before 100 % contact
- Can make up for misalignment within a circle with a 3 mm radius (or 6 mm misalignment possible between the two ends)
- Return to neutral position with two springs
- Modules may be arranged horizontally or vertically, as needed
- Marking receptacles for Weidmüller DEKAFIX markers, 5 mm pitch
- The modules are compatible with each other: two modules with different travel values can be combined or may cohabit on the same assembly wall to offer different travel values and create contact sequences for plugging or unplugging
- Packaged in boxes of 100 (100 fixed or 100 movable)

4) Assembly window

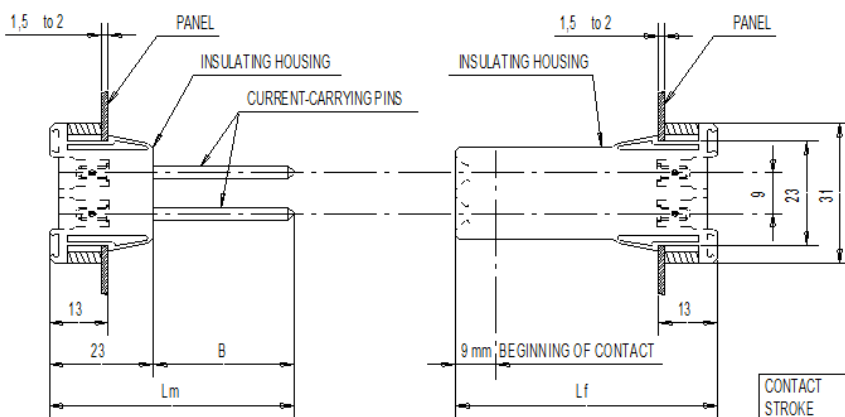


5) Dimensions

DRAWN OUT

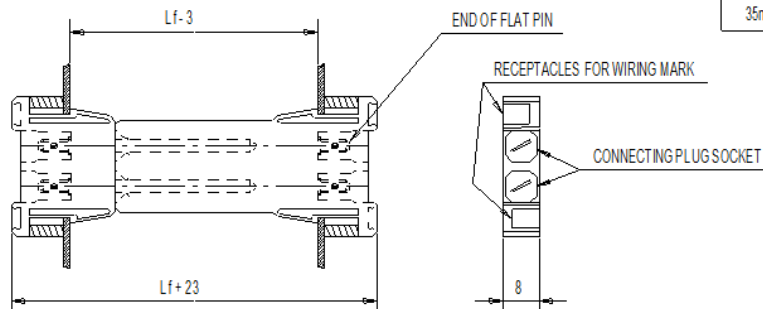
MOBILE CONNECTOR - DRAWER SIDE

FIX CONNECTOR - SWITCHBOARD SIDE



CONTACT STROKE	DIMENSIONS		
	Lf	Lm	B
12mm	50	46	23
20mm	58	54	31
35mm	73	69	46

TOTALLY PLUGGED IN

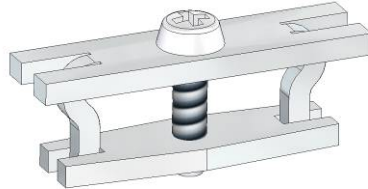


6) Accessory: XILCO® stop

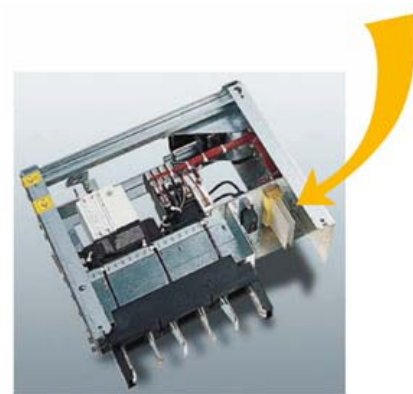
The XILCO® stop is to be used when some slots of assembly windows are not occupied by XILCO® modules, and there is a risk of a module sliding sideways due to an error when the drawers are taken off.

The XILCO® stop is installed instead of a XILCO® module. It can be installed even when access is only possible from one side.

Fastening with Pozidriv 1 screwdriver.



7) Product pictures



FELS S.A.S. – 2 rue Joseph-Marie JACQUARD – ZI Sud – BP 70069
F67402 ILLKIRCH CEDEX
Tel. +33(0) 3 88 67 10 60 – Fax. +33(0) 3 88 67 33 10
www.fels.fr – Email fels@fels.fr

